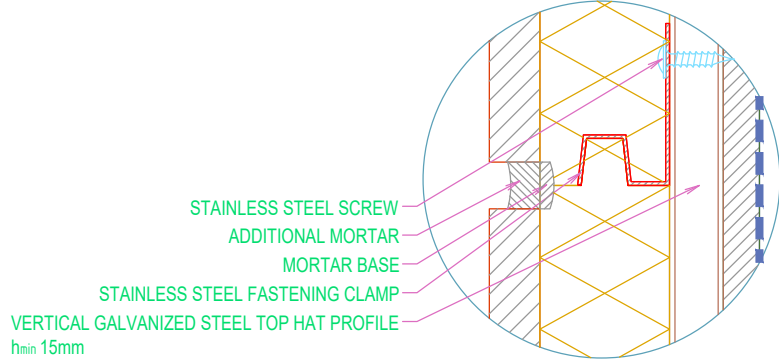


1:2



RAKETERM CLADDING SYSTEM WITH CAVITY  
 VERTICAL STEEL FRAME  
 SILL DETAIL