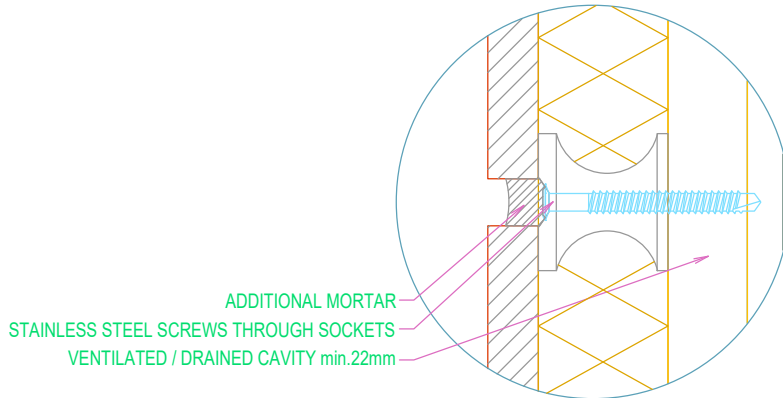


1:2



RAKETERM CLADDING SYSTEM WITH CAVITY
 VERTICAL-HORIZONTAL TIMBER FRAME
 PARAPET DETAIL