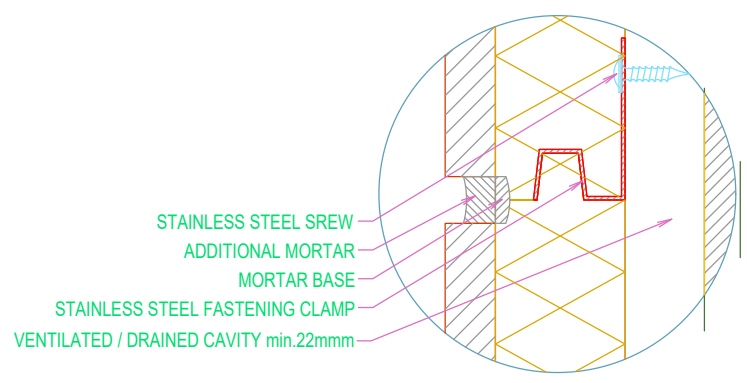


1:2



RAKETERM CLADDING SYSTEM WITH CAVITY  
VERTICAL-HORIZONTAL TIMBER FRAME  
SILL DETAIL