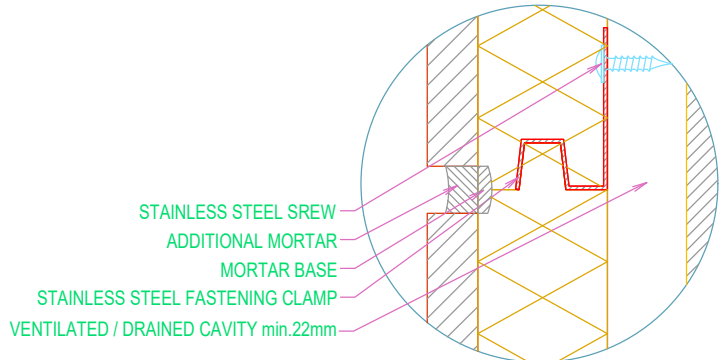


1:2



RAKETERM CLADDING SYSTEM WITH CAVITY
VERTICAL TIMBER FRAME
SILL DETAIL